

Mã số EM2550UH PETROL BRUSHCUTTER

| Mặt hàng | Mã số phụ | Mô Tả | I/C | Qty | N/O | Sales | Note |
|----------|-----------|-----------------------------|-----|-----|-----|-------|------|
| 001 | 331821-2 | HANDLE | | 2 | | | |
| 002 | 135395-3 | HANDLE HOLDER ASS'Y | | 1 | | | |
| | D10 | INC. 3,4 | | | | | |
| 003 | 922241-7 | HEX. SOCKET HEAD BOLT M5X25 | | 4 | | | |
| 004 | 922251-4 | HEX. SOCKET HEAD BOLT M5X30 | | 2 | | | |
| 005 | 273526-7 | GRIP 18 | | 2 | | | |
| 006 | 125477-9 | CONTROL LEVER | | 1 | | | |
| 007 | 168470-0 | CONTROL CABLE | | 1 | | | |
| 008 | 324893-4 | SHAFT | | 1 | * | | |
| 008-1 | 326368-9 | SHAFT | O | 1 | | | |
| 009 | 808723-2 | CAUTION LABEL | | 1 | | | |
| 010 | 819312-8 | MAKITA LOGO LABEL | | 1 | | | |
| 011 | 898699-1 | CAUTION LABEL | | 1 | | | |
| 012 | 195143-2 | HANGER SET | | 1 | | | |
| | D10 | INC. 13 | | | | | |
| 013 | 911233-1 | PAN HEAD SCREW M5X20 | | 1 | | | |
| 014 | 158658-0 | SHAFT PIPE COMPLETE | | 1 | | | |
| 015 | 125476-1 | GEAR CASE ASSEMBLY | | 1 | * | | |
| | D10 | INC. 16-29 | | | * | | |
| 015-1 | 126262-3 | GEAR CASE ASSEMBLY | X | 1 | | | |
| | D10 | INC. 16-29 | | | | | |
| 016 | 962103-7 | RETAINING RING R-24 | | 1 | | | |
| 017 | 961005-4 | RETAINING RING S-9 | | 1 | | | |
| 018 | 210049-4 | BALL BEARING 609ZZ | | 1 | | | |
| 019 | 922241-7 | HEX. SOCKET HEAD BOLT M5X25 | | 1 | | | |
| 020 | 265578-2 | +HEX.BOLT M6X8 | | 1 | * | | |
| 020-1 | 266863-6 | +HEX.BOLT M6X8 | O | 1 | | | |
| 021 | 450653-9 | GUARD | | 1 | | | |
| 022 | 265195-8 | +PAN HEAD SCREW M5X12 | | 2 | * | | |
| 022-1 | 911213-7 | PAN HEAD SCREW M5X12 | O | 2 | | | |
| 023 | 210083-4 | BALL BEARING 626 | | 1 | * | | |
| 023-1 | 211019-6 | BALL BEARING 626 | O | 1 | | | |
| 024 | 210082-6 | BALL BEARING 6000DDU | | 1 | * | | |
| 024-1 | 210054-1 | BALL BEARING 6000LLU | O | 1 | | | |
| 025 | 962105-3 | RETAINING RING R-26 | | 1 | | | |
| 026 | 324917-6 | RECEIVE WASHER | | 1 | * | | |
| 026-1 | 332042-9 | RECEIVE WASHER | < | 1 | * | | |
| 026-2 | 324917-6 | RECEIVE WASHER | O | 1 | | | |
| 027 | 168481-5 | CLAMP WASHER COMPLETE | | 1 | * | | |
| 027-1 | 168797-8 | CLAMP WASHER COMPLETE | O | 1 | | | |
| 028 | 264018-7 | HEX.NUT M8 | | 1 | | | |
| 029 | 195350-7 | CUTTER SHAFT SET | | 1 | * | | |
| 029-1 | 196424-7 | CUTTER SHAFT SET | X | 1 | | | |
| 030 | 922218-2 | H.S.H.BOLT M5X14 WITH WR | | 1 | | | |
| 031 | 125478-7 | PROTECTOR ASSEMBLY | | 1 | * | | |
| | D10 | INC. 32,33 | | | * | | |
| 031-1 | 196353-4 | PROTECTOR SET | O | 1 | | | |
| | D10 | INC. 32,33 | | | | | |

Mã số EM2550UH PETROL BRUSHCUTTER

| Mặt hàng | Mã số phụ | Mô Tả | I/C | Qty | N/O | Sales | Note |
|----------|-----------|-----------------------------|-----|-----|-----|-------|------|
| 032 | 922226-3 | HEX. SOCKET HEAD BOLT M5X18 | | 2 | | | |
| 033 | 345923-8 | PROTECTOR CLAMP | | 1 | | | |
| 034 | 922226-3 | HEX. SOCKET HEAD BOLT M5X18 | | 2 | | | |
| 035 | 922211-6 | HEX. SOCKET HEAD BOLT M5X12 | | 1 | | | |
| 036 | 424191-7 | PIPE DAMPER 1 | | 1 | | | |
| 037 | 318270-0 | PIPE BRACKET 1 | | 1 | | | |
| 038 | 318271-8 | PIPE BRACKET 2 | | 1 | | | |
| 039 | 424107-2 | PIPE DAMPER 2 | | 1 | | | |
| 040 | 922222-1 | HEX. SOCKET HEAD BOLT M5X16 | | 3 | | | |
| 041 | 318329-3 | CLUTCH CASE | | 1 | | | |
| 042 | 450569-8 | SPACER | | 1 | * | | |
| 042-1 | 450569-8 | SPACER | O | 1 | | | |
| 043 | 961052-5 | RETAINING RING S-12 | | 1 | | | |
| 044 | 168475-0 | CLUTCH DRUM | | 1 | | | |
| 045 | 210111-5 | BALL BEARING 6201LLU | | 1 | | | |
| 046 | 962151-6 | RETAINING RING R-32 | | 1 | | | |
| 047 | 195144-0 | STAND SET | | 1 | | | |
| D10 | | INC. 48 | | | | | |
| 048 | 911218-7 | PAN HEAD SCREW M5X14 | | 2 | | | |
| 049 | 911213-7 | PAN HEAD SCREW M5X12 | | 2 | | | |
| 050 | 450564-8 | CYLINDER COVER | | 1 | | | |
| 052 | 450568-0 | PLUG COVER | | 1 | * | | |
| 052-1 | 452144-6 | PLUG COVER | O | 1 | | | |
| 053 | 808633-3 | 4STROKE INDICATION LABEL | | 1 | * | | |
| 054 | 125474-5 | SWITCH ASSY | | 1 | * | | |
| 054-1 | 632B58-9 | STOP SWITCH UNIT | S | 1 | | | |
| 055 | 911128-8 | PAN HEAD SCREW M4X16 | | 2 | | | |
| 056 | 266440-4 | HEX SOCKET HEAD BOLT M5X40 | | 2 | | | |
| 057 | 265184-3 | +TRUSS HEAD SCREW M5X5 | | 1 | | | |
| 058 | 345915-7 | MUFFLER COVER | | 1 | | | |
| 059 | 168469-5 | EXHAUST MUFFLER | | 1 | | | |
| 060 | 345916-5 | MUFFLER GASKET | | 1 | | | |
| 061 | 140023-7 | ROCKER COVER COMPLETE | | 1 | | | |
| 062 | 162275-0 | ROCKER COVER GASKET | | 1 | | | |
| 063 | 922223-9 | H.S.H.BOLT M5X16 WITH WR | | 3 | | | |
| 064 | 168534-0 | SPARK PLUG | | 1 | | | |
| 065 | 162274-2 | CAM GEAR COVER GASKET | | 1 | | | |
| 066 | 318443-5 | CAM GEAR COVER | | 1 | | | |
| 067 | 922217-4 | HEX. SOCKET HEAD BOLT M5X14 | | 3 | | | |
| 068 | 450565-6 | OIL GAUGE | | 1 | | | |
| 069 | 424100-6 | GASKET | | 1 | | | |
| 070 | 162276-8 | CASE GASKET | | 1 | | | |
| 071 | 318442-7 | OIL CASE | | 1 | | | |
| 072 | 922217-4 | HEX. SOCKET HEAD BOLT M5X14 | | 4 | | | |
| 073 | 325666-8 | OIL WEIGHT | | 1 | | | |
| 074 | 424202-8 | OIL TUBE | | 1 | | | |
| 075 | 282020-8 | HOSE CLAMP | | 1 | | | |
| 076 | 922112-8 | HEX. SOCKET HEAD BOLT M4X10 | | 1 | | | |

Mã số EM2550UH PETROL BRUSHCUTTER

| Mặt hàng | Mã số phụ | Mô Tả | I/C | Qty | N/O | Sales | Note |
|----------|-----------|-----------------------------|-----|-----|-----|-------|------|
| 077 | 318440-1 | RETAINER PLATE | | 1 | | | |
| 078 | 346083-9 | LEAD VALVE | | 1 | | | |
| 079 | 135375-9 | CYLINDER BLOCK ASSEMBLY | | 1 | | | |
| D10 | | INC. 80-82 | | | | | |
| 080 | 424201-0 | CHECK VALVE | | 2 | | | |
| 081 | 922217-4 | HEX. SOCKET HEAD BOLT M5X14 | | 8 | | | |
| 082 | 424200-2 | SPACER | | 2 | | | |
| 083 | 125554-7 | ROCKER ARM ASSEMBLY | | 2 | | | |
| 084 | 325668-4 | SPRING RETAINER | | 2 | | | |
| 085 | 234108-0 | COMPRESSION SPRING 9 | | 2 | | | |
| 086 | 256200-2 | PIN 5 | | 1 | | | |
| 087 | 325670-7 | INTAKE VALVE | | 1 | * | | |
| 087-1 | 326367-1 | INTAKE VALVE | O | 1 | | | |
| 088 | 325669-2 | EXHAUST VALVE | | 1 | * | | |
| 088-1 | 326366-3 | EXHAUST VALVE | O | 1 | | | |
| 089 | 125552-1 | CAM GEAR ASSEMBLY | | 1 | | | |
| 090 | 268238-5 | PIN 5 | | 1 | | | |
| 091 | 313169-4 | CAM LIFTER | | 2 | | | |
| 092 | 268239-3 | PIN 4 | | 1 | | | |
| 093 | 256865-0 | ROD 2.5 | | 2 | | | |
| 094 | 195145-8 | PISTON RING SET | | 1 | * | | |
| 094-1 | 196595-0 | PISTON RING SET | O | 1 | | | |
| 095 | 233976-8 | CLIP | | 2 | | | |
| 096 | 318441-9 | PISTON | | 1 | | | |
| 097 | 257781-9 | PISTON PIN | | 1 | | | |
| 098 | 213147-3 | OIL SEAL 12 | | 1 | | | |
| 099 | 267400-9 | FLAT WASHER 23 | | 1 | | | |
| 100 | 135374-1 | CRANKSHAFT ASSEMBLY | | 1 | * | | |
| 100-1 | 135539-5 | CRANKSHAFT ASSEMBLY | O | 1 | | | |
| 101 | 213148-1 | OIL SEAL 10 | | 1 | | | |
| 102 | 424105-6 | PLUG CAP | | 1 | | | |
| 103 | 324891-8 | PLUG CAP SPRING | | 1 | | | |
| 104 | 168501-5 | IGNITION COIL | | 1 | * | | |
| 104-1 | 168816-0 | IGNITION COIL | S | 1 | | | |
| 105 | 922138-0 | H.S.H.BOLT M4X20 WITH WR | | 2 | | | |
| 106 | 318343-9 | FLYWHEEL | | 1 | * | | |
| 106-1 | 319012-5 | FLYWHEEL | O | 1 | | | |
| 107 | 267812-6 | WASHER 6 | | 2 | | | |
| 108 | 168498-8 | CLUTCH SHOE | | 2 | * | | |
| 108-1 | 161332-1 | CLUTCH SHOE | O | 2 | | | |
| 109 | 267817-6 | WASHER 8 | | 2 | | | |
| 110 | 266457-7 | SHOULDER HEX. BOLT M6X25 | | 2 | * | | |
| 110-1 | 266864-4 | SHOULDER HEX. BOLT M6X25 | O | 2 | | | |
| 111 | 265577-4 | HEX HEAD BOLT M6X16 | | 1 | | | |
| 112 | 231858-8 | TENSION SPRING 6 | | 1 | * | | |
| 112-1 | 231881-3 | TENSION SPRING 7 | < | 1 | | | |
| 113 | 125472-9 | FUEL TANK CAP ASSEMBLY | | 1 | | | |
| D10 | | INC. 114,115 | | | | | |

Mã số EM2550UH PETROL BRUSHCUTTER

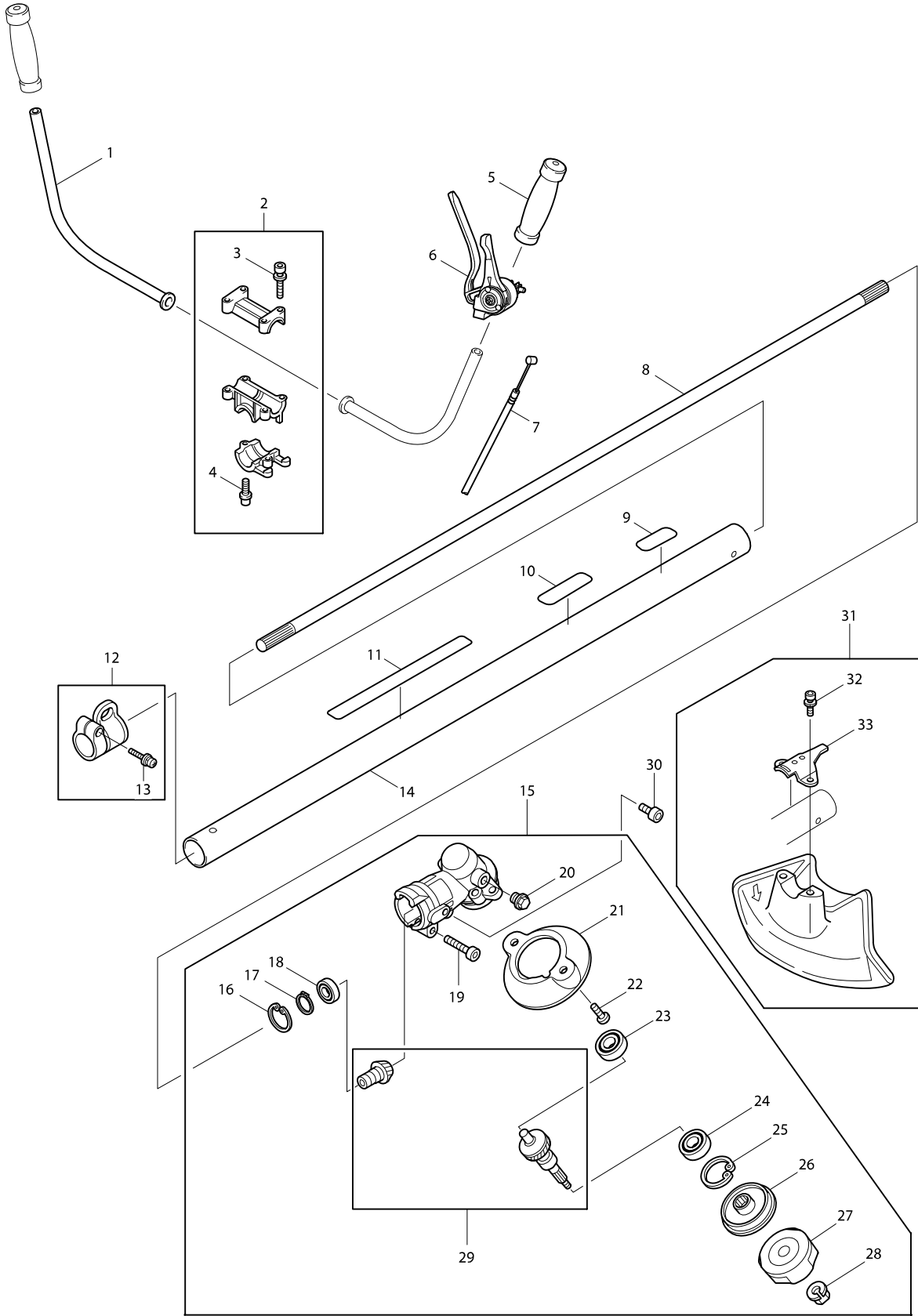
| Mặt hàng | Mã số phụ | Mô Tả | I/C | Qty | N/O | Sales | Note |
|----------|-----------|----------------------------|-----|-----|-----|-------|------|
| 114 | 140435-4 | FUEL TANK CAP | | 1 | | | |
| 115 | 140436-2 | STRAP COMPLETE | | 1 | | | |
| 116 | 810455-9 | CAUTION PLATE | | 1 | | | |
| 117 | 424102-2 | PLATE | | 1 | | | |
| 118 | 424103-0 | PLATE | | 1 | | | |
| 119 | 424104-8 | DAMPER | | 1 | | | |
| 120 | 450566-4 | FUEL TANK | | 1 | | | |
| 121 | 163447-0 | GASOLINE FILTER | | 1 | | | |
| 122 | 345920-4 | HOSE CLAMP | | 1 | | | |
| 123 | 168472-6 | TUBE COMPLETE | | 1 | | | |
| 124 | 195146-6 | RECOIL STARTER SET | | 1 | | | |
| D10 | | INC. 125-132 | | | | | |
| 125 | 168483-1 | PULLEY | | 1 | | | |
| 126 | 266585-8 | TAPPING SCREW 5X12 | | 1 | | | |
| 127 | 451938-6 | COLLAR | | 1 | | | |
| 128 | 451937-8 | REEL | | 1 | | | |
| 129 | 232258-5 | SPIRAL SPRING | | 1 | | | |
| 130 | 325923-4 | SWING ARM | | 1 | | | |
| 131 | 424319-7 | STARTER KNOB | | 1 | | | |
| 132 | 444019-3 | STARTER ROPE | | 1 | | | |
| 133 | 898698-3 | EM2550UH MODEL NO. LABEL | | 1 | | | |
| 134 | 265188-5 | +PAN HEAD SCREW M5X68 | | 2 | | | |
| 135 | 345919-9 | PLATE | | 1 | | | |
| 136 | 423376-2 | GASKET | | 1 | | | |
| 137 | 450560-6 | CHOKE PLATE | | 1 | | | |
| 138 | 911218-7 | PAN HEAD SCREW M5X14 | | 1 | | | |
| 139 | 450561-4 | AIR CLEANER COVER | | 1 | | | |
| 140 | 443141-3 | AIR CLEANER ELEMENT | | 1 | | | |
| 141 | 443140-5 | AIR CLEANER ELEMENT | | 1 | | | |
| 142 | 345918-1 | HOSE CLAMP | | 1 | | | |
| 143 | 422041-0 | BREATHER PIPE | | 1 | | | |
| 144 | 422042-8 | PIPE | | 1 | | | |
| 145 | 125468-0 | CLEANER PLATE ASSEMBLY | | 1 | | | |
| C10 | 140814-6 | AIR CLEANER PLATE COMPLETE | | 1 | | | |
| D10 | | INC. 146-153 | | | | | |
| 146 | 451925-5 | CHOKE LEVER | | 1 | | | |
| 147 | 213540-1 | O RING 15 | | 1 | | | |
| 148 | 424316-3 | CHECK VALVE | | 1 | | | |
| 149 | 213539-6 | O RING 14 | | 1 | | | |
| 150 | 451924-7 | CHECK VALVE PLATE | | 1 | | | |
| 151 | 424315-5 | CHECK VALVE | | 1 | | | |
| 152 | 168577-2 | SEPARATOR GASKET | | 1 | | | |
| 153 | 168576-4 | SEPARATOR PLATE | | 1 | | | |
| 154 | 413121-3 | CARBURETOR GASKET | | 1 | | | |
| 155 | 922228-9 | H.S.H.BOLT M5X18 WITH WR | | 2 | | | |
| 156 | 450559-1 | INSULATOR | | 1 | | | |
| 158 | 325663-4 | ADJUST SCREW | | 1 | | | |
| 159 | 324961-3 | INTAKE PIPE | | 1 | | | |

Mã số EM2550UH PETROL BRUSHCUTTER

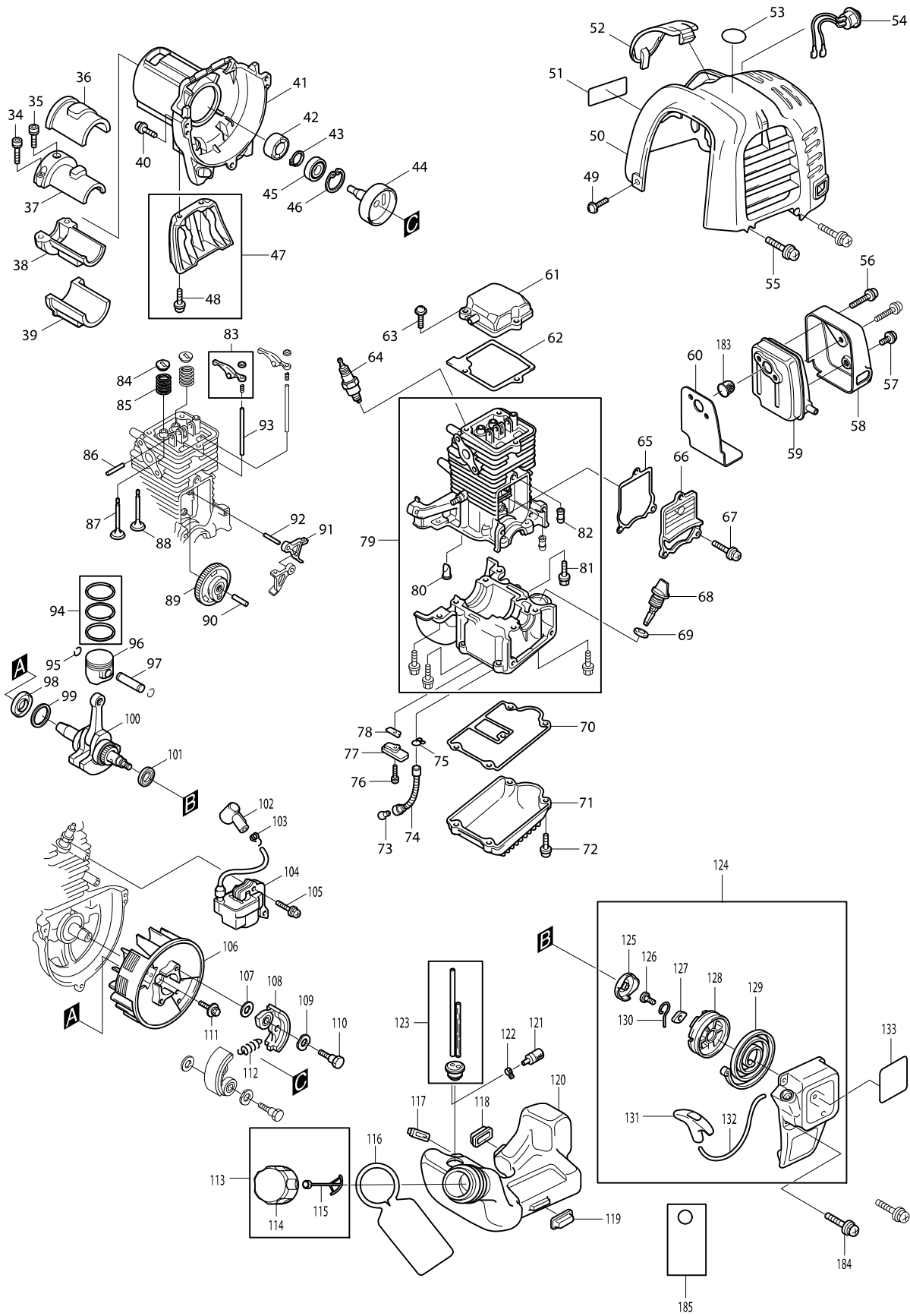
| Mặt hàng | Mã số phụ | Mô Tả | I/C | Qty | N/O | Sales | Note |
|----------|------------|--------------------------------|-----|-----|-----|-------|------|
| 160 | 413120-5 | INSULATOR GASKET | | 1 | | | |
| 161 | 213078-6 | O-RING 10 | | 1 | | | |
| 162 | 922213-2 | H.S.H.BOLT M5X12 WITH WR | | 1 | | | |
| 163 | 450562-2 | CLAMP | | 1 | | | |
| 164 | 286284-6 | CAP | | 1 | | | |
| 165 | 168497-0 | CARBURETOR | | 1 | | | |
| D10 | | INC. 166,168-182 | | | | | |
| 166 | 140437-0 | PUMP BODY | | 1 | | | |
| D10 | | INC. 167 | | | | | |
| 167 | 352010-6 | INLET SCREEN | | 1 | | | |
| 168 | 442154-1 | METERING DIAPHRAGM GASKET | | 1 | | | |
| 169 | 168574-8 | METERING DIAPHRAGM | | 1 | | | |
| 170 | 140438-8 | AIR PURGE BODY | | 1 | | | |
| 171 | 424314-7 | PRIMER PUMP | | 1 | | | |
| 172 | 346270-0 | PRIMER PUMP COVER | | 1 | | | |
| 173 | 266582-4 | TAPPING SCREW 3X24 | | 4 | | | |
| 174 | 168575-6 | PUMP DIAPHRAGM | | 1 | | | |
| 175 | 442155-9 | PUMP GASKET | | 1 | | | |
| 176 | 325924-2 | JET | | 1 | | | |
| 177 | 213538-8 | O RING 2 | | 1 | | | |
| 178 | 234183-6 | CONICAL COMPRESSION SPRING 5-9 | | 1 | | | |
| 179 | 266581-6 | PAN HEAD SCREW M3X8 WITH W | | 2 | * | | |
| 179-1 | WJ00096364 | SCREW M3X8 WITH WASHER | O | 2 | | | |
| 180 | 325922-6 | SWIVEL | | 1 | | | |
| 181 | 413140-9 | WASHER | | 1 | | | |
| 182 | 257964-1 | STOP RING E-3 | | 1 | | | |
| 183 | 324980-9 | SPARK ARRESTER | | 1 | | | |
| 184 | 911128-8 | PAN HEAD SCREW M4X16 | | 2 | | | |
| 185 | 819432-8 | CAUTION TAG | | 1 | | | |
| 186 | 632B57-1 | LEAD UNIT | S | 2 | | | |
| A01 | 125520-4 | BAND ASSEMBLY | | 1 | | | |
| A02 | 194573-4 | TOOL SET | | 1 | | | |
| D10 | | INC. A03 | | | | | |
| A03 | 783202-0 | HEX. WRENCH 4 | | 1 | | | |
| A04 | 242072-1 | OIL BOTTLE | | 1 | | | |
| A05 | 831283-9 | TOOL BAG | | 1 | * | | |
| A05-1 | 831304-7 | ACCESSORY BAG | X | 1 | | | |
| A06 | 450563-0 | CLAMP | | 2 | | | |
| | | | | | | | |
| | | | | | | | |
| | | | | | | | |
| | | | | | | | |
| | | | | | | | |
| | | | | | | | |
| | | | | | | | |
| | | | | | | | |
| | | | | | | | |
| | | | | | | | |
| | | | | | | | |

Please order the parts with a part number.

Mã số EM2550UH PETROL BRUSHCUTTER



Mã số EM2550UH PETROL BRUSHCUTTER



Mã số EM2550UH PETROL BRUSHCUTTER

