

**Drill - 3 601 AA4 5K0 - GBM 320**[www.powertools-aftersaleservice.com](http://www.powertools-aftersaleservice.com)**BOSCH**

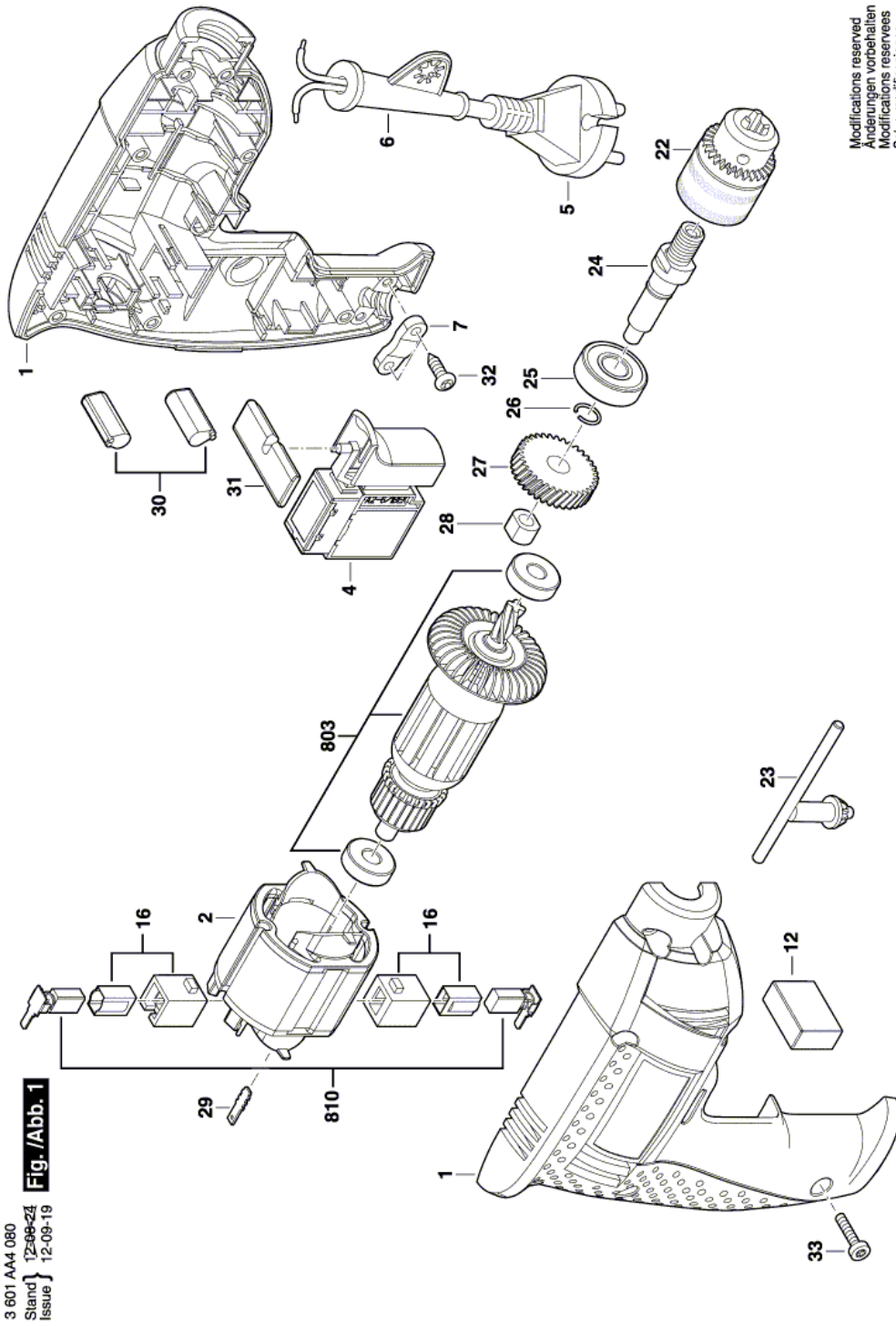
Item	Part Number	Description	Illustration	Price	Quantity	Price Group
1	1 619 PA4 164	Housing Section	1	-,-	1	23
2	1 619 PA4 180	Field 220-240V	1	-,-	1	25
4	1 619 PA4 597	Switch	1	-,-	1	23
5	1 619 PA5 033	Power supply cord	1	-,-	1	23
6	1 619 PA4 599	Grommet	1	-,-	1	11
7	1 619 PA4 600	Cable Clip	1	-,-	1	10
12	1 619 PA4 604	Suppression Filter	1	-,-	1	12
16	1 619 PA4 606	Brush Holder	1	-,-	2	11
22	1 619 PA4 607	Key Chuck	1	-,-	1	22
23	1 619 PA4 608	Chuck Wrench	1	-,-	1	11
24	1 619 PA4 609	Drilling Spindle	1	-,-	1	19
25	1 619 PA4 610	Ball Bearing	1	-,-	1	12
26	1 619 PA4 611	Spacer Ring	1	-,-	1	10
27	1 619 PA4 612	Cylindrical Gear	1	-,-	1	17
28	1 619 PA4 613	Bearing Bracket	1	-,-	1	10
29	1 619 PA4 614	Pin	1	-,-	1	10
30	1 619 PA4 615	Inductor	1	-,-	2	11
31	1 619 PA4 616	Lever	1	-,-	1	10
32	1 619 PA4 617	Tapping Screw	1	-,-	2	10
33	1 619 PA4 618	Tapping Screw	1	-,-	7	10
803	1 619 PA5 010	Armature set 220-240V	1	-,-	1	30
810	1 619 PA4 619	Carbon-Brush Set	1	-,-	1	16

NO Lubrication instructions available for this product

## Product information Drill - 3 601 AA4 5K0 - GBM 320

Product No	3 601 AA4 5K0
Description	251.321; Drill
DIN-Text	
ID_Text_Ext	0
Trading_Description	GBM 320
Voltage_1	230 V
ID_Country_Product	ASI

Illustration - Type E



Modifications reserved  
Änderungen vorbehalten  
Modificaciones reservadas  
Salvo modificaciones

Information subject to change without further notice.