



Sơ đồ máy GBG 6 (NEW)

STT	Mã sản phẩm	Tên sản phẩm
3	1619PA2264	Rotor .
4	1619PA1962	Switch .
5	1619PA2250	Power supply cord .
6	1619PA3012	Grommet .
7	1619PA2102	Fastening Clamp .
9	1619PA2231	Manufacturer's nameplate .
10	1619PA2103	Screw .
11	1619PA2104	Lateral Guard .
12	1619PA2105	Motor Capacitor .
13	1619PA2106	Deep-Groove Ball Bearing .
15	1619PA2108	Spring Washer .
16	1619PA2109	Spring Washer .
18	1619PA2111	Support plate .
19	1619PA2112	End Shield .
20	1619PA2234	Warning Label .
25	1619PA2117	Screw .
26	1619PA2118	Pan head screw .
30	1619PA2122	Hex Nut .
31	1619PA2123	Corrugated Washer .
32	1619PA2124	Support plate .
36	1619PA2128	Base Plate .
37	1619PA2129	Plain Washer .
38	1619PA2568	Hex thin nut .
39	1619PA2131	Screw .
40	1619PA2132	Base Plate .
41	1619PA2133	Spring Washer .
42	1619PA2134	Screw .



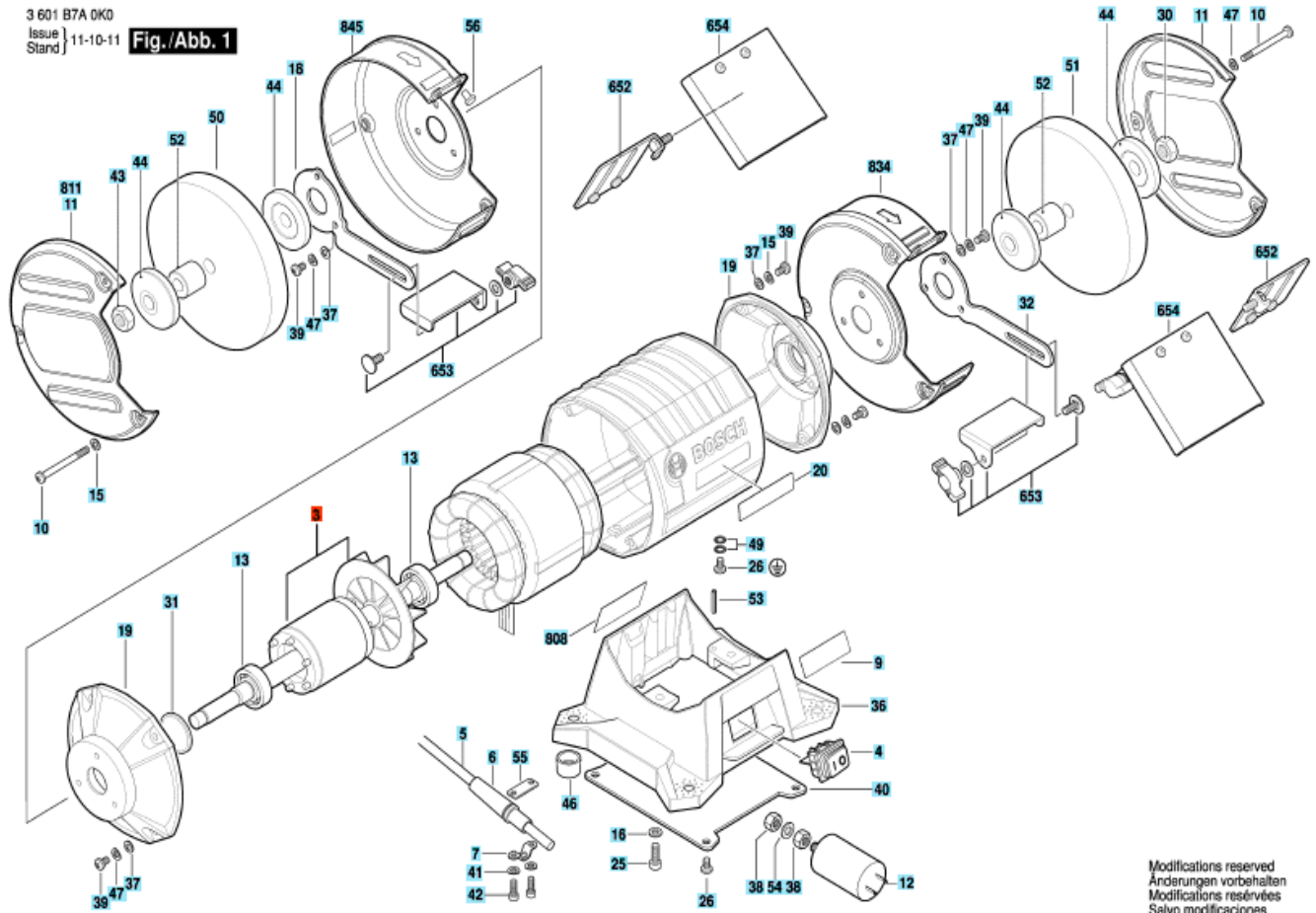
Sơ đồ máy GBG 6 (NEW)

43	1619PA2135	Hex Nut .
44	1619PA2136	Clamping Flange .
46	1619PA2138	Rubber Base .
47	1619PA2139	Spring Washer .
49	1619PA2141	Toothed lock washer .
50	1619PA1958	Grinding Wheel .
51	1619PA1959	Grinding Wheel .
52	1619PA2142	Reduction Sleeve .
53	1619PA2143	Spring Pin .
54	1619PA2144	Toothed lock washer .
55	1619PA2322	Support Plate .
56	1619PA2571	Blind Rivet Nut .
652	1619PA2254	Guard Plate .
653	1619PA2255	Support Plate .
654	1619PA2256	Protective Glass .
808	1619PA2956	Nameplate .
834	1619PA2574	Protective Cover .
845	1619PA2575	Protective Cover .

Sơ đồ máy GBG 6 (NEW)

3 601 B7A OKD
Issue 11-10-11
Stand

Fig./Abb. 1



Modifications reserved
Änderungen vorbehalten
Modifications réservées
Salvo modificaciones