

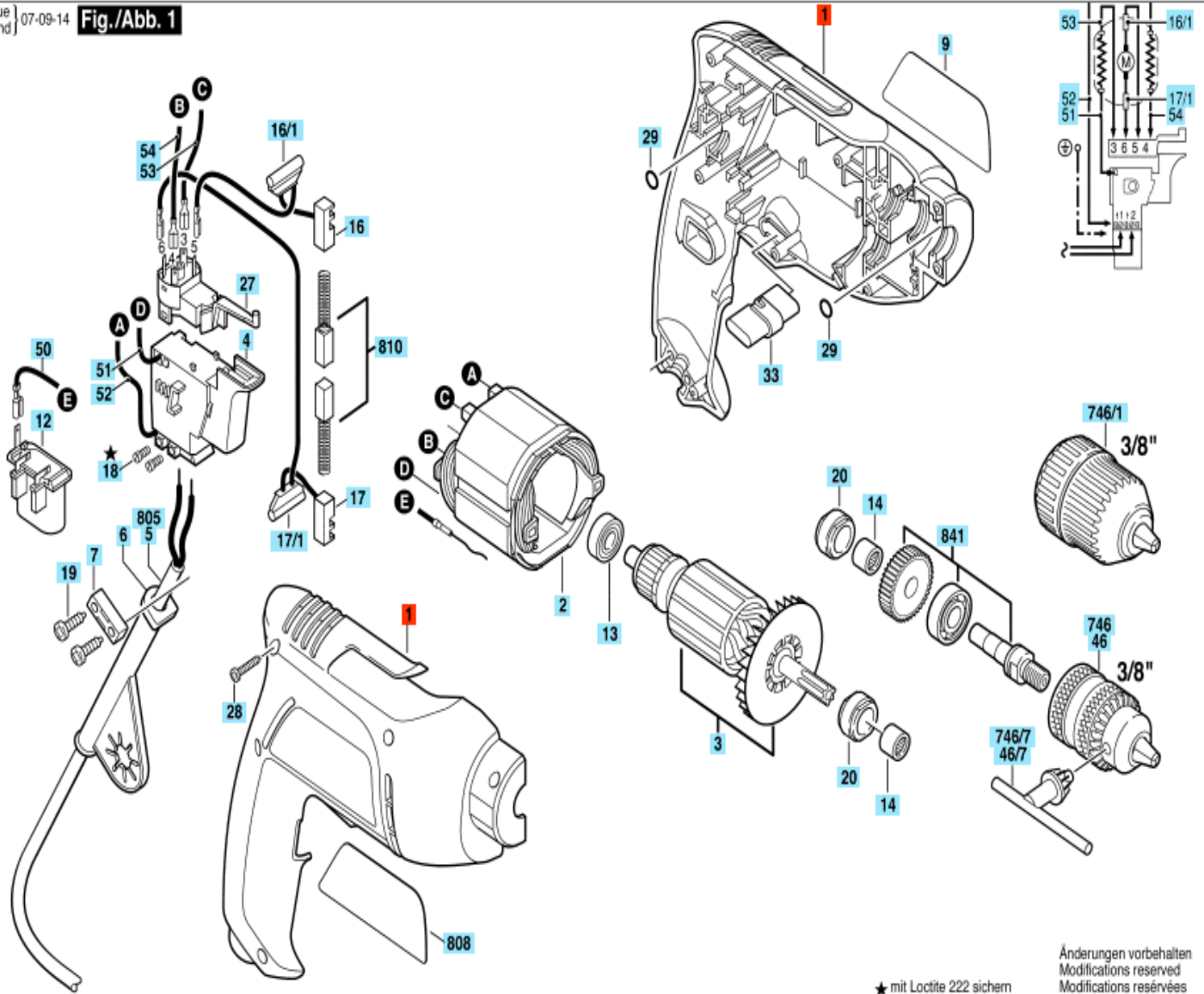


Sơ đồ máy GBM 6RE

STT	Mã sản phẩm	Tên sản phẩm
1	2 605 104 638	Housing Section BLUE
2	2 604 220 640	Field 230-240V .
3	1 604 010 695	Armature 220-240V .
4	2 607 200 398	Switch .
5	1 604 460 262	Power supply cord CN 220V 2,65m 2 x 0,75mm H05 VV-F .
6	2 600 707 059	Grommet Ø6,9 MM .
7	2 601 035 001	Cable Clip .
9	2 609 130 111	Manufacturer's nameplate .
13	2 600 905 032	Deep-Groove Ball Bearing 7x19x6 .
14	2 600 917 003	Needle bearing Ø8x8 MM .
16	2 604 449 050	Brush Holder .
17	2 604 449 051	Brush Holder .
18	2 603 410 001	Socket head cap screw M3x6,5-4.8 .
19	2 910 611 019	Tapping Screw DIN 7981-ST3,9x16-C-H .
20	2 609 110 018	Bearing Piece .
27	2 607 200 416	Change-Over Switch .
28	2 603 435 065	Tapping Screw .
29	1 900 210 000	O-Ring 5,0x1,5 MM .
33	2 609 100 002	Protection cover .
46	2 608 571 009	Key Chuck Ø1-6,5 MM, 3/8" .
46/7	2 607 950 006	Chuck Wrench DIN 6349 - S1 .
51	2 604 448 212	Connecting Cable .
52	2 604 448 060	Cable L=173 MM WHITE
53	2 609 120 004	Connecting Cable .
54	2 609 120 005	Connecting Cable .
746/7	1 607 950 028	Chuck Wrench DIN 6349-S1 .
808	1 601 106 032	Nameplate 26x52 MM .
810	2 604 321 904	Carbon-Brush Set .
841	2 609 110 159	Drilling Spindle .

Sơ đồ máy GBM 6RE

Issue Stand 07-09-14 Fig./Abb. 1



★ mit Loctite 222 sichern

Änderungen vorbehalten
Modifications reserved
Modifications réservées