



Sơ đồ máy GKS 235

STT	Mã sản phẩm	Tên sản phẩm
2	1619P08320	Field 230V .
4	1619P01115	Switch .
5	1619P02325	Power supply cord IL/BR 2,65m 2 x 1,00mm H05 VV-F .
6	2600703012	Grommet Ø6,5-Ø6,9x95 MM .
7	1619P01104	Cable Clip .
9	1619P02718	Label GKS 235 .
13	2610017348	Deep-Groove Ball Bearing .
14	1619P06095	Deep-Groove Ball Bearing .
19	2603490021	Torx Oval-Head Screw 4x12 .
22	1619P01139	End cap .
23	1619P01140	Baffle BLACK
24	1619P01141	Set Of Handles BLUE
25	1619P01142	Auxiliary Handle BLACK
26	1619P01127	Rubber Ring .
27	1619P01151	Cable .
28	1619P01152	Cable .
29	1619P04505	Cable .
32	1619P01157	Change-Over Switch RED
33	2610935251	Compression Spring .
34	1619P01637	Strain-Relief Clamp .
37	1619P01143	Cap BLACK
38	1619P01620	Guide Bracket .
39	1619P01642	Compression Spring .
41	1619P07414	Shim Ring .
46	1619P01623	Shaft .
47	1900905279	Deep-Groove Ball Bearing 15x35x11 .
48	1900905173	Deep-Groove Ball Bearing 6000-2RS DIN 625 .



Sơ đồ máy GKS 235

49	1619P01624	Cylindrical Gear .
50	1619P01153	Washer .
51	1619P01626	Locking Washer .
52	1619P01634	Clamp Screw .
53	1619P01628	Bearing Flange .
54	1619P01629	Retaining Plate .
58	1619P01630	Pivoting Blade Guard .
59	1619P01631	Lever .
60	1619P01632	Extension Spring .
61	1619P01633	Bumper .
62	1619P02580	Spacer Tube .
63	1619P01635	Flange Bushing .
65	1619P06522	Stud bolt .
66	1619P01639	Protective Guard .
67	2917780185	Slotted Spring Pin DIN 7346-8x45 .
69	1619P01665	Base Plate .
70	1619P01666	Hinge Bracket .
71	1619P01154	Depth-Gauge .
72	1619P01155	Support bracket .
73	1619P01158	Hinge .
74	2610923224	Shoulder Screw .
75	2915061003	Hex Nut DIN 985-M 5-8-A .
76	1619P01636	Wing Nut .
78	2910281201	Round-Head Bolt DIN 603-M6x20 .
79	1619P01668	Adjusting Lever .
80	1619P01669	Rod .
81	2916021013	Plain Washer 8-ST .
84	1619P01618	Wing Screw BLACK



Sơ đồ máy GKS 235

87	1619P01643	Screw .
88	1619P01644	Screw .
89	1619P01676	Screw .
90	2610924685	Adjusting Screw .
91	1619P01677	Screw M5x10-H .
92	1619P01678	Screw .
93	1619P01679	Screw .
94	1619P01680	Screw M6x20-H .
95	1619P01673	Screw .
653	1907950006	Offset Screwdriver DIN 911-SW5 BLACK
660	1619X01612	Mitre Fence .
801	1619P04514	Motor Housing .
803	1619P01696	Armature set 230V .
808	1619P02656	Nameplate .
810	1619P01685	Carbon-Brush Set .
816	1619P02799	Brush Holder .

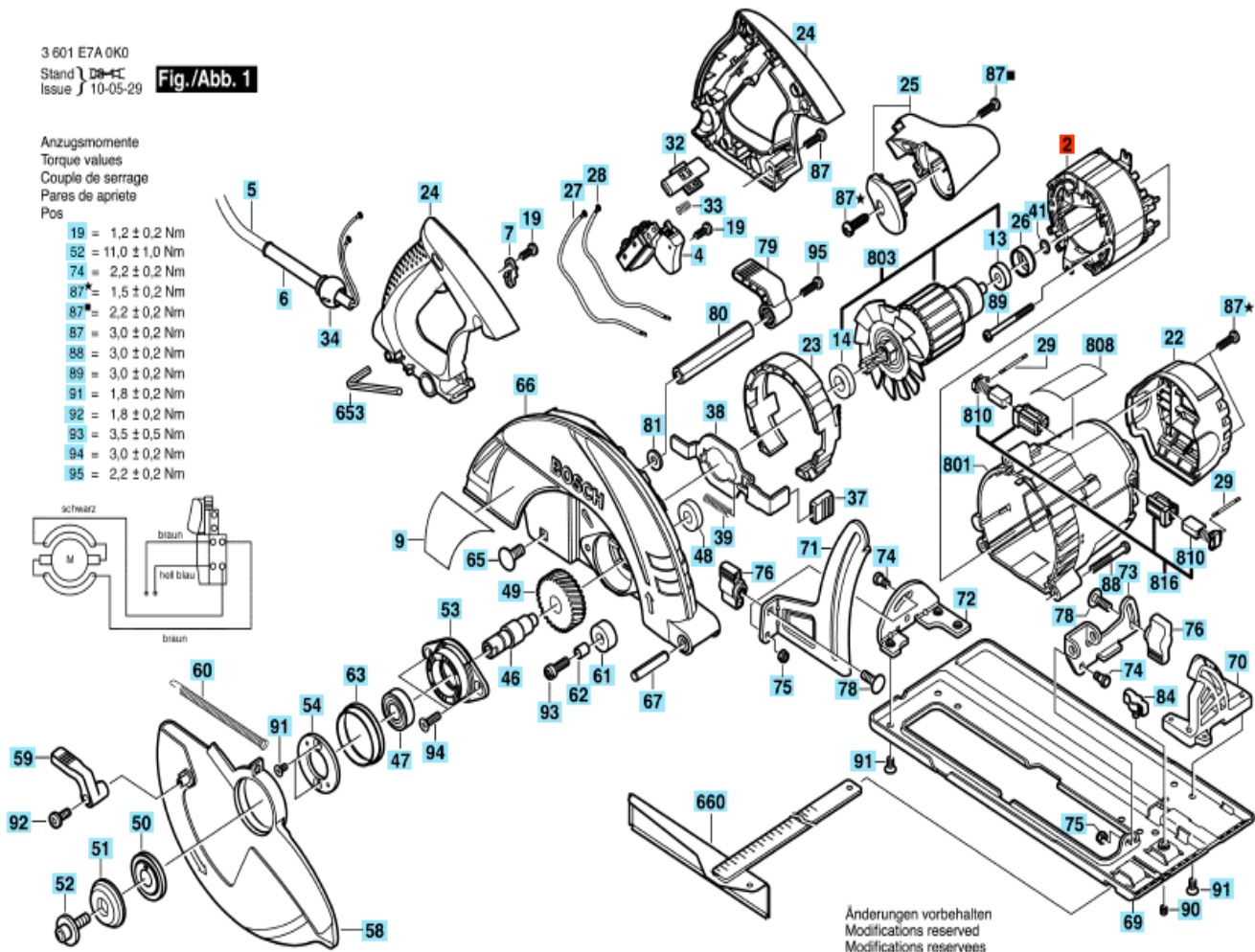
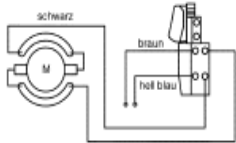
Sơ đồ máy GKS 235

3 601 E7A 0K0
 Stand 10-05-29
 Issue 1

Fig./Abb. 1

Anzugsmomente
 Torque values
 Couple de serrage
 Pares de apriete
 Pos

- 19 = 1,2 ± 0,2 Nm
- 52 = 11,0 ± 1,0 Nm
- 74 = 2,2 ± 0,2 Nm
- 87* = 1,5 ± 0,2 Nm
- 87 = 2,2 ± 0,2 Nm
- 87 = 3,0 ± 0,2 Nm
- 88 = 3,0 ± 0,2 Nm
- 89 = 3,0 ± 0,2 Nm
- 91 = 1,8 ± 0,2 Nm
- 92 = 1,8 ± 0,2 Nm
- 93 = 3,5 ± 0,5 Nm
- 94 = 3,0 ± 0,2 Nm
- 95 = 2,2 ± 0,2 Nm



Änderungen vorbehalten
 Modifications reserved
 Modifications reserves
 Salvo modificaciones