



Sơ đồ máy GKS 7000

STT	Mã sản phẩm	Tên sản phẩm	
2	1619P08314	Field 230V .	
4	1619P09971	Switch .	
6	2600703017	Grommet Ø6,4-Ø7,2x76 MM .	
7	1619P06313	Cable Clip .	
11	1619P06286	Insulating Cap .	
13	1619P00456	Ball Bearing 7x19x6 MM .	
14	1900905173	Deep-Groove Ball Bearing 6000-2RS DIN 625 .	
19	2603490021	Torx Oval-Head Screw 4x12 .	
24	1619P09797	Baffle .	
26	1619P09801	Set Of Handles .	
27	1619P06227	Rubber Ring .	
28	1619P10065	Connecting Cable .	
29	1619P09987	Connecting Cable .	
38	1619P09795	Guide Bracket .	
39	2610936576	Compression Spring .	
50	1619P06230	Washer .	
51	1619P10086	Locking Washer .	
52	1619P06232	Screw .	
54	1619P06238	Locking Washer .	
57	F000640007	O-Ring .	
58	1619P09803	Pivoting Blade Guard .	
60	1619P09794	Extension Spring .	
61	1619P06236	Bumper BLACK	
67	1619P09895	Slotted Spring Pin .	
76	1619P06244	Wing Nut .	
77	2916021013	Plain Washer 8-ST .	
78	1619P06211	Round-Head Bolt .	



Sơ đồ máy GKS 7000

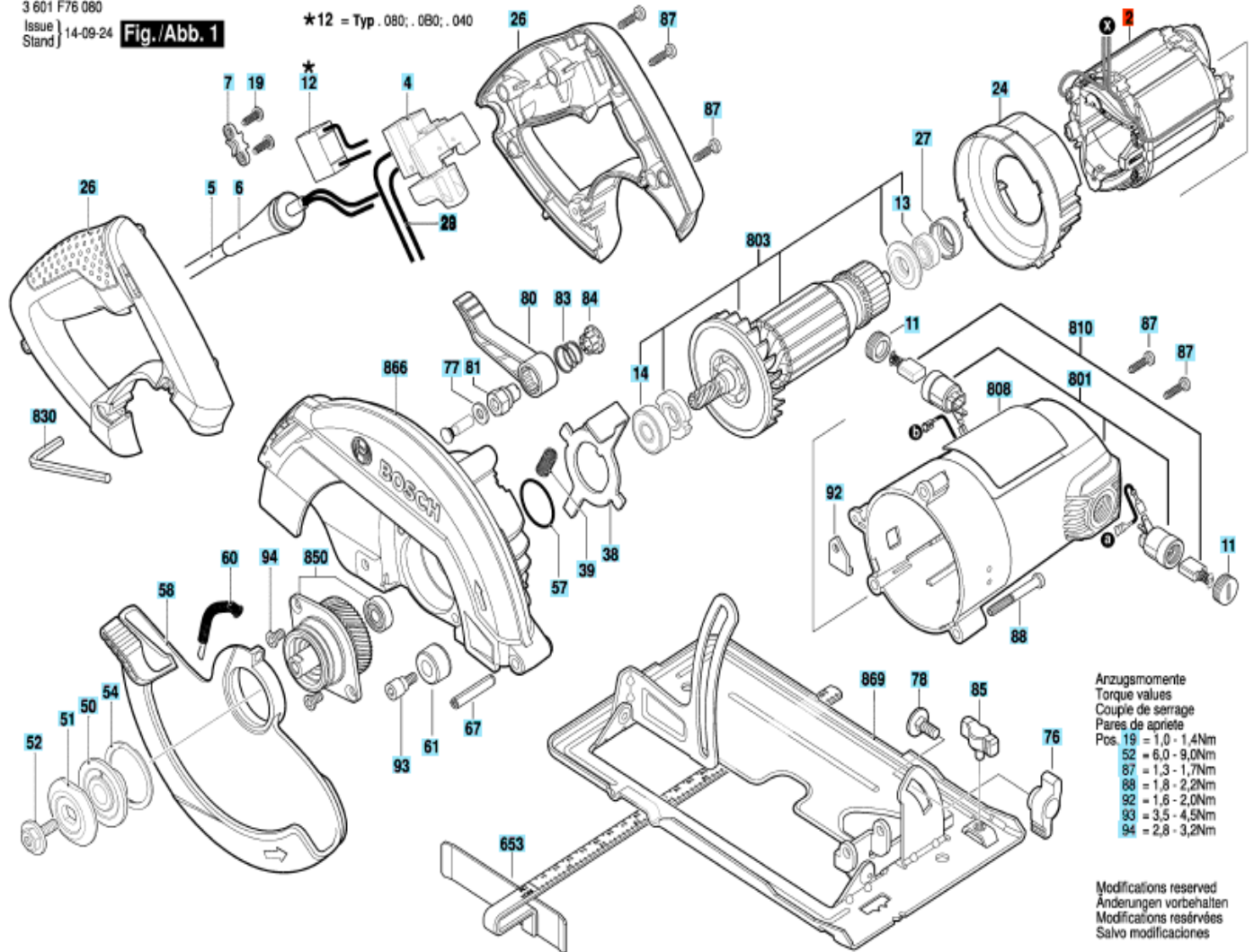
80	1619P10037	Lever .	
81	1619P09798	Nut .	
83	1619X01792	Spring BLACK	
84	2610918145	Cover .	
85	1619P01618	Wing Screw BLACK	
87	2603490022	Torx Oval-Head Screw 4x16 .	
88	2610925864	Screw .	
92	1619P09874	Support plate .	
93	1619P06246	Screw .	
94	2610924687	Countersunk-Head Screw .	
653	1619X05789	Parallel-Guide .	
801	1619P10061	Motor Housing BLUE	
803	1619P10062	Armature set 230V .	
805	1607000388	Power supply cord EU 2,65m 2 x 1,0mm H05 RN-F .	
808	1619P09995	Nameplate .	
810	1619P10063	Carbon-Brush Set .	
830	1907950006	Offset Screwdriver DIN 911-SW5 BLACK	
850	1619P10066	Gear .	
866	1619P10067	Protective Cover .	
869	1619P10064	Base Plate .	

Sơ đồ máy GKS 7000

3 601 F76 080
Issue 14-09-24
Stand

Fig./Abb. 1

★12 = Typ. 080; . 080; . 040



Anzugsmomente
Torque values
Couple de serrage
Pares de apriete

Pos. 19	= 1,0 - 1,4Nm
52	= 6,0 - 9,0Nm
67	= 1,3 - 1,7Nm
88	= 1,8 - 2,2Nm
92	= 1,6 - 2,0Nm
93	= 3,5 - 4,5Nm
94	= 2,8 - 3,2Nm

Modifications reserved
Änderungen vorbehalten
Modifications réservées
Salvo modificaciones